



THERMO KING KIT

40-915

Subject: Remote Status Light

Benefits:

- Eliminate driver anxiety - Latest innovative method of monitoring load protection without having to remember the color and meaning of every light in a standard remote light indicator bar.
- Easy to install - plugs directly into most new TK trailer unit wiring harness.
- Engineered by Thermo King - for refrigeration units.
- Compatible - will not interfere with unit operation.
- Daytime Operation - visible in bright daylight.
- Solid state design - completely sealed against the elements and no bulbs to replace.
- Comes standard with a bright finish stainless steel mounting bracket.

Units: SL-400e SR2

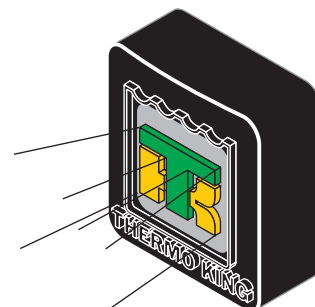
Note: Kit contains the status light stainless steel bracket, and mounting hardware. The status light is protected with a 1 amp fuse (41-1932)

Works as follows:

The Remote Status Light illuminates the "T" in green when the unit is functioning properly with no alarm codes.

The Remote Status Light illuminates the "K" in amber when the unit has a check alarm code but is still functioning to maintain load integrity. The unit should be checked at the earliest convenience to correct any malfunctions.

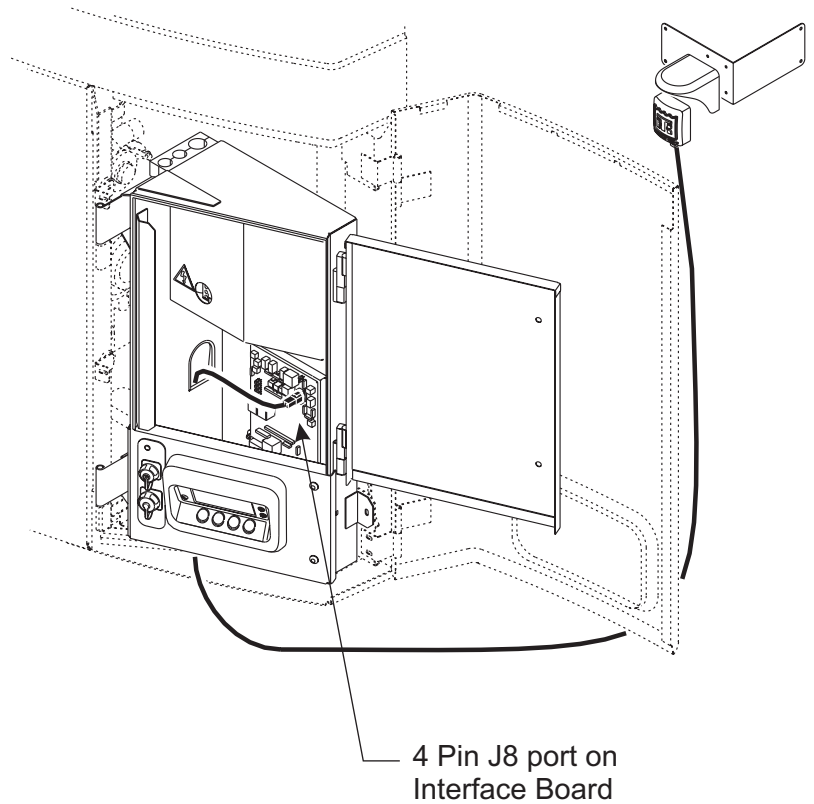
The Remote Status Light blinks the "T" in green and the "K" in amber when the unit has a shutdown alarm code which indicates load integrity is at risk. This condition requires immediate attention.



Mounting Instruction:

1. Hold the Remote Status Light in position on trailer so lights can be seen in rear view mirror.
2. Mark four mounting hole locations.
3. Drill four holes for bracket mounting using a 9/64" drill.
4. Place the Remote Status Light in position and mount using stainless steel screws (55-3555) and flatwashers (55-2001).
5. Route harness into control box through access hole located at side of box.
6. Plug the 4 pin Remote Status Light harness connector into 4 pin J8 port on Interface Board.
7. Beginning at the Remote Status Light, clamp the wire harness and the sensor cable to the trailer wall using clamps (55-5294), screws and washers. Secure excess harness inside the unit so it will no contact sharp edges or moving parts
8. Operate the unit and assure proper display operation. Place unit in service.

NOTE: For opposite side installation, remove the Remote Status Light mounting screws, rotate the Light 180 degrees and re-attach.



Unit wire Connector Statue Light			
Code pin no. Harness Code			
Black	Pin 3	CH Ground	
Red	Pin 2	8BB +12V	
White.	Pin 1	ACLP Alarm Output	

40-915 KIT CONTENTS

NSS	LIGHT - REMOTE STATUS	1
41-1932	FUSE 1 AMP	1
55-5640	SCREW HWHSM 10	11
55-2001	FLATWASHER	16
55-5294	CLAMP - harness	5
55-2330	BANDWRAP	8
55-396	LOCKWASHER int th	1
55-3941	SCREW - sheet metal	1
91-8733	BRACKET - remote light	1
91-9274	SUN VISOR	1